

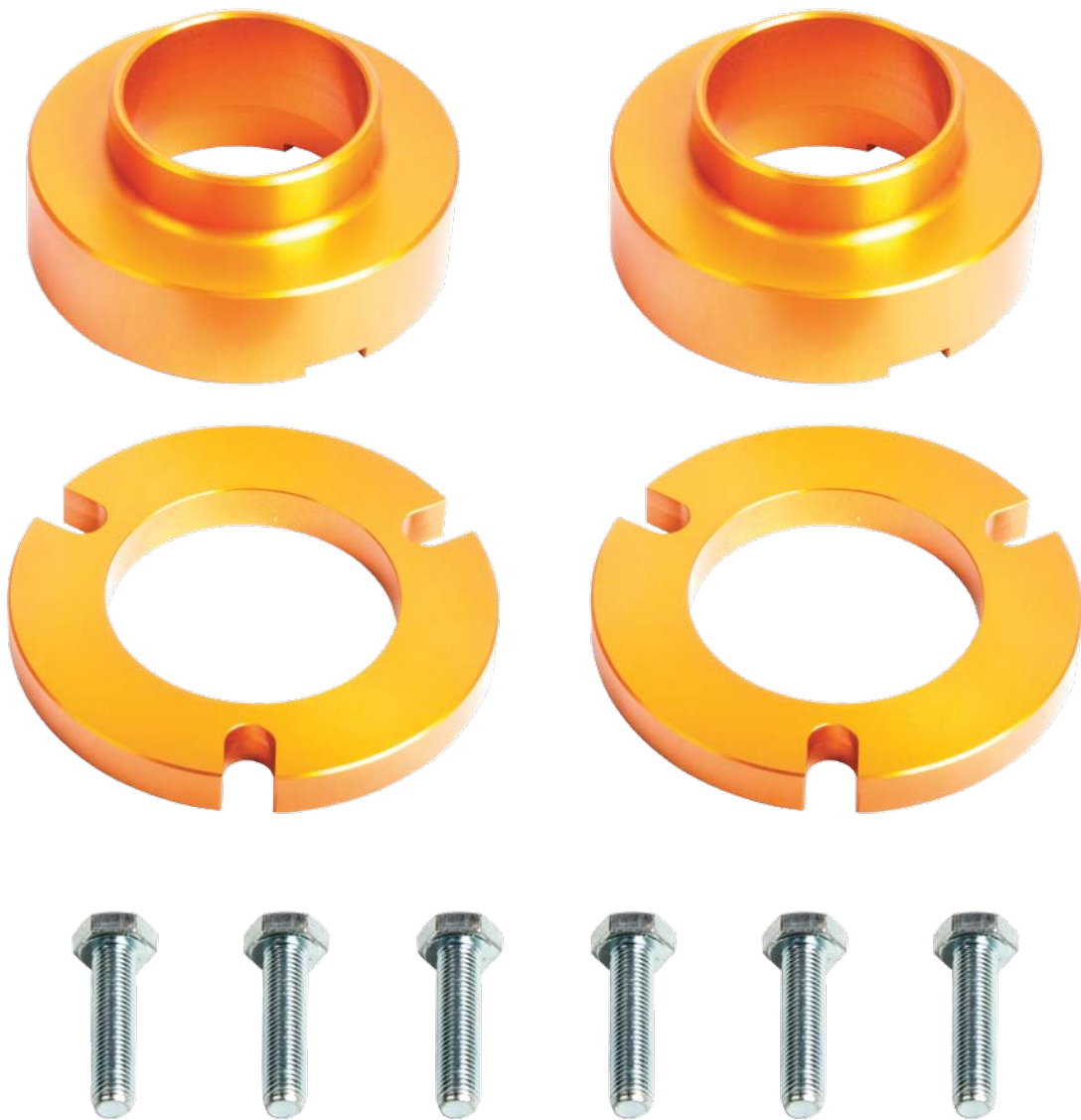
# INSTALLATION INSTRUCTIONS



## TACOMA FRONT 3" SPACER LIFT KIT

300599-1-KIT (1995-2013 TACOMA PRERUNNER/4WD, 1996-2012 4RUNNER 4WD)

### KIT CONTENTS





## RECOMMENDED TOOLS

Ratchet & Socket Set

Torque Wrench

Adjustable Wrench

Jack Stands

Floor Jack

Strut Compressor

## CAUTION

1. Read all instructions completely and carefully before you begin. If anything is not clear, please call our tech support line at 1.877.4X4.TOYS or 559.252.4950 before proceeding.
2. Check to make sure the kit is complete and that no parts are missing (refer to the Kit Contents Section on the first page of these instructions). If anything is missing, please contact Trail-Gear at 1.877.4X4.TOYS or 559.252.4950.
3. Park vehicle on a clean, dry, flat, level surface and block the tires so the vehicle cannot roll in either direction.
4. This kit is for off-road use only. It is recommended that the installation steps below be performed by a competent mechanic. Installation of this kit may change the handling characteristics of your vehicle. Buyers and users of this product hereby expressly assume all risks associated with the installation and use of this kit.

# INSTALLATION INSTRUCTIONS



## TACOMA FRONT 3" SPACER LIFT

### STEP 1

Place the vehicle securely on jack stands.

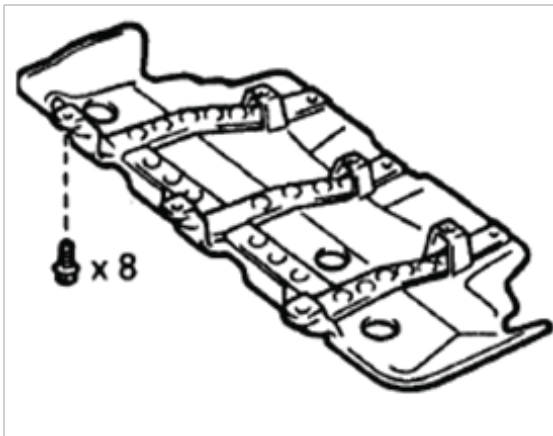
### STEP 2

Remove both front wheels.



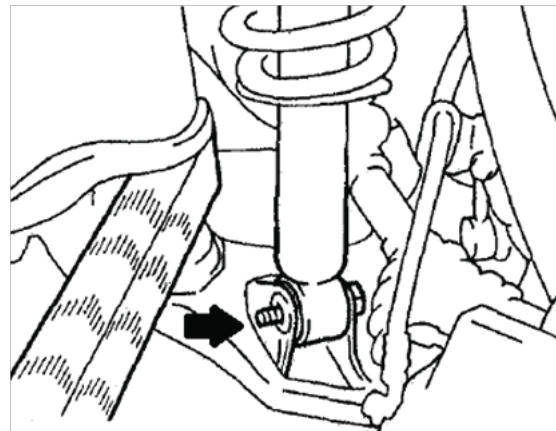
### STEP 3

Remove the bolts holding the skid plate onto the vehicle. Save the skid plate & bolts for reinstallation.



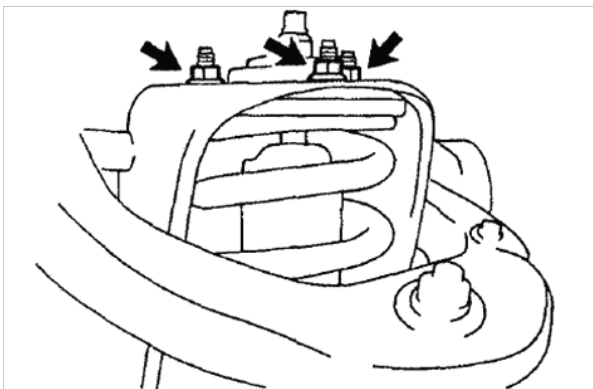
### STEP 4

Loosen & remove the lower shock mounting bolt, nut, and washer. Save the nut, bolt, and washer for reinstallation.



### STEP 5

Remove the (3) nuts holding the shock absorber/coil spring assembly to the shock tower. Remove the shock absorber/coil spring assembly from the vehicle. Save the (3) nuts for reinstallation.



### STEP 6

Remove the shock/coil spring assembly from the vehicle. Mark the bottom of the shock in relation to the top of the shock/coil spring assembly. The shock eyelet should be rotated 90° in relation to the stud on top of the strut that is nearest to the engine.



# INSTALLATION INSTRUCTIONS



## STEP 7

Repeat Steps 4 through 6 for the opposite side of the vehicle.



**WARNING – IT IS HIGHLY RECOMMENDED THAT STEPS 10 THROUGH 15 BE PERFORMED BY A COMPETENT MECHANIC EXPERIENCED IN USING A STRUT COMPRESSOR. THE COIL SPRING IS UNDER COMPRESSION, AND IMPROPERLY DISASSEMBLING THE COILOVER ASSEMBLY MAY RESULT IN INJURY OR DEATH. Many automotive repair shops and some auto parts stores provide this service for a nominal fee.**

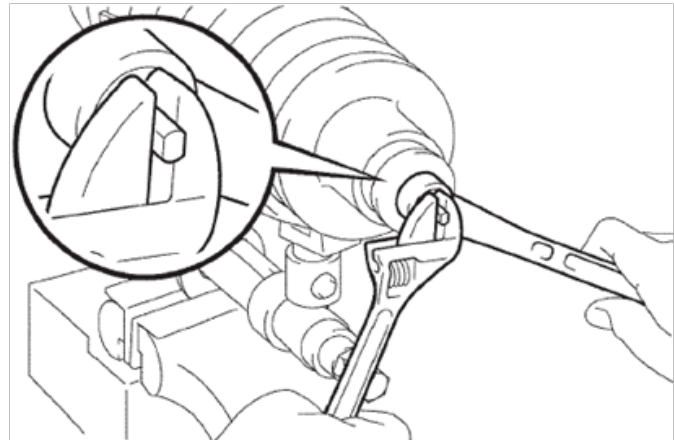
## STEP 8

Verify that the strut is marked correctly and that the markings are still visible. Place the shock/coil spring assembly in a strut compressor and compress the coilover spring.



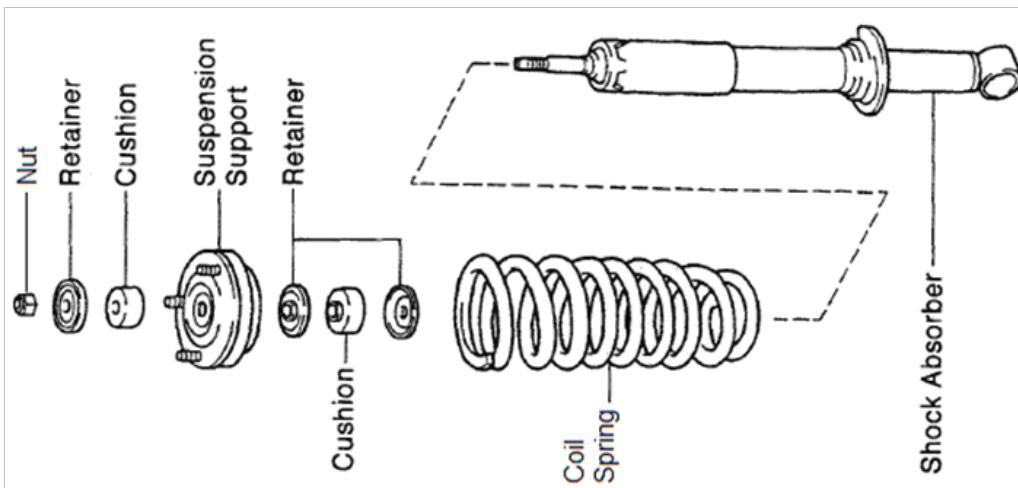
## STEP 9

Remove the nut on the top of the shock/coil spring assembly. Make sure to hold the shock rod in place with an adjustable wrench when you are removing the nut. Save the nut for reinstallation.



## STEP 10

Disassemble the shock/coil spring assembly in the order shown below. Save all components for reassembly.



# INSTALLATION INSTRUCTIONS



## STEP 11

Disassemble the Front Suspension Support Sub-assembly. Press out the studs in the top plate and discard the studs. Replace the studs with (3) of the hex head bolts provided in the kit. Reassemble the support with one of the Lift Spacers between the steel plate & the rubber pad.



## STEP 13

Repeat Steps 8 through 12 for the other shock/coil spring assembly.

## STEP 12

Reassemble the shock/coil spring assembly in the reverse order of Step 10. Make sure that the top plate bolt is correctly aligned with the bottom of the shock during assembly. Torque the nut to 22 ft-lbs or to the torque specified in the Toyota Tacoma factory service manual.



## STEP 14

Install the top spacer plate on top of the shock/coil spring assembly. Repeat for the other shock/coil spring assembly.



## STEP 15

Install the shock/coil spring assembly back into the top mount, and secure to the shock/coil spring assembly to the mount using (3) of the nuts removed in Step 5. Make sure you orient the shock/coil spring assembly according to the markings applied in Step 6. Torque the nuts to 47 ft-lbs or to the torque specified in the Toyota Tacoma factory service manual. Repeat for the other side of the vehicle.

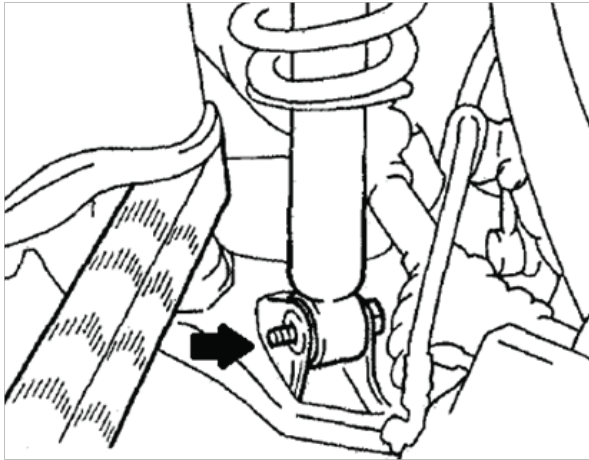


# INSTALLATION INSTRUCTIONS



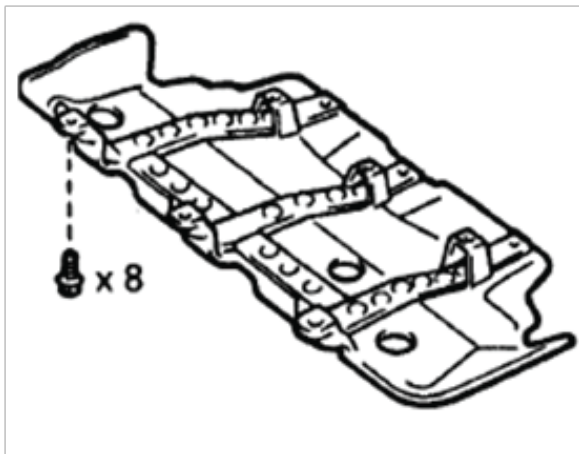
## STEP 16

Secure the shock eyelet to the lower shock mount using the bolt, nut, and washer removed in Step 4. You may need to push the upper control arm down to accomplish this. Torque the nut to 101 ft-lbs or to the torque specified in the Toyota Tacoma factory service manual. Repeat for the other side of the vehicle.



## STEP 18

Reinstall the skid plate onto the vehicle using the bolts removed in Step 3. Torque the bolts to the torque specified in the Toyota Tacoma factory service manual.



## STEP 17

The installation of a differential drop kit is highly recommended. If you have purchased a differential drop kit, install it at this time according to the manufacturer's installation instructions. Otherwise, proceed to Step 18.

## STEP 19

Reinstall both front wheels. Torque the lug nuts to 83 ft-lbs or to the torque specified in the Toyota Tacoma factory service manual.

## STEP 20

Lower the vehicle and make sure the suspension cycles. Take the vehicle for a short test drive. After the test drive, check the torque on all the hardware and tighten as necessary.

## STEP 21

A front-end alignment should be performed immediately after installation of this kit. Failure to properly align the front end will lead to premature and uneven wear on the tires, damage front suspension components, and may cause an unsafe driving condition.

## SERVICE PARTS

